



STATE OF MG SCHOOL



# AGENDA



## ➤ **Now**

- NGRAIN
- Exam VI
- MGS Standalone

## ➤ **Future**

- TADSS
- SIO

## ➤ **Rumor/Future**

- A8/USMC/NG Split
- ABCT MG Training

## ➤ **Closing**

- Trends



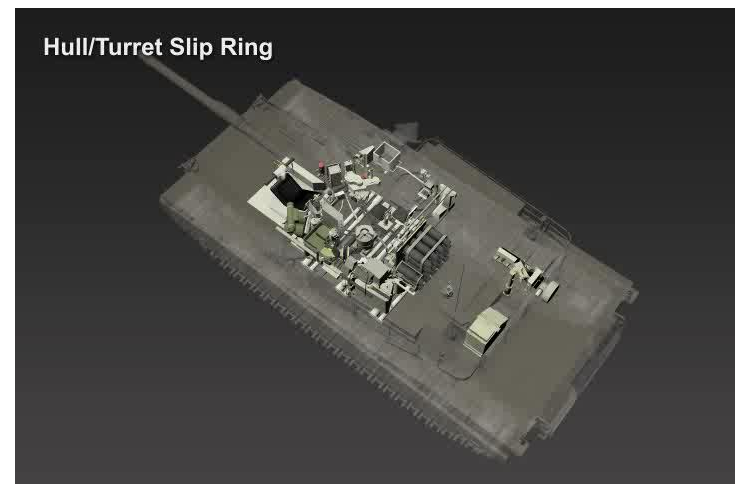
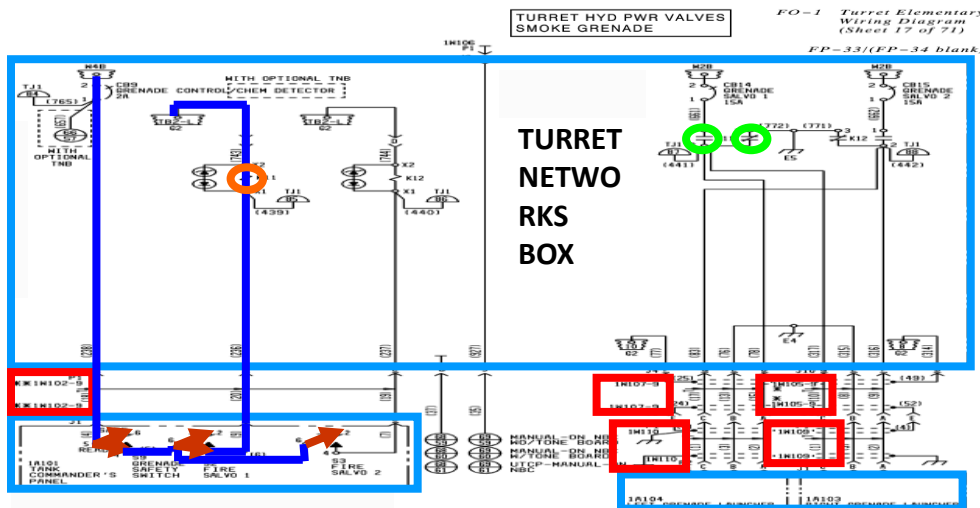
# NOW



## ➤ NGRAIN

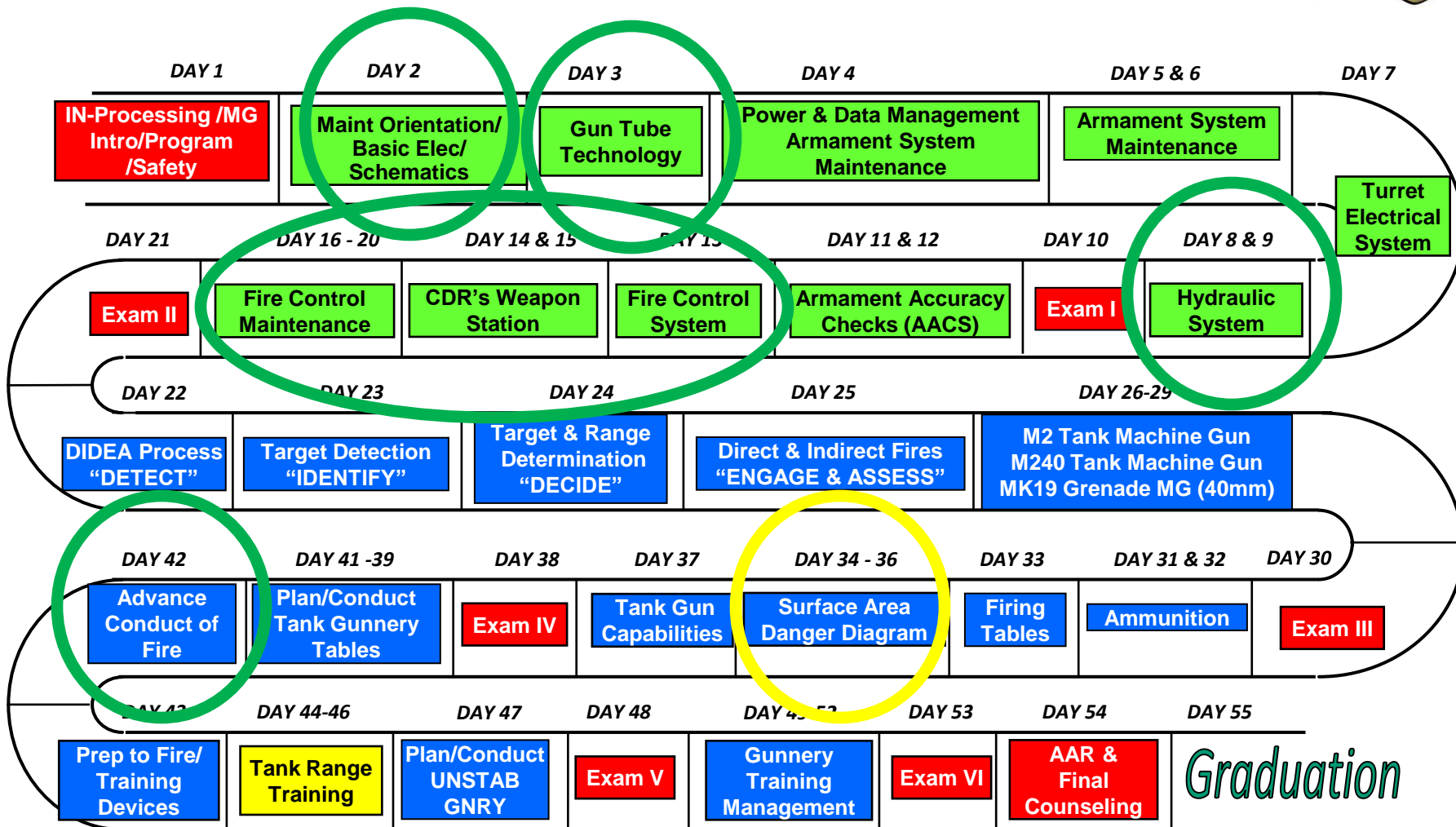
NGRAIN provides the Master Gunner Branch a tool that supports and enhances maintenance training utilizing 3-D imaging for the Basic Electricity and Schematics Portion of the M1A2 SEP and MGS Master Gunner Programs.

NGRAIN supports ALM 2015 through both integrated virtual facilitation of the lesson plan and self paced student learning





# INTEGRATION



- Maintenance Tng
- Range Training
- Advanced Gun Tng
- Exam / Admin



# NOW



## ➤ Exam VI

Input from CDRs in the field have identified the lack of experience from recent graduates with coordination of a gunnery density.

The primary focus of Exam VI is the implementation of a coordinated Gun line. All information in packet is required in Memorandum LOI/MOI format.

After initial instruction SM receives “mentoring” from an experienced MG.

Presentation of information in the board format is the same.



# MGS Standalone



## ➤ PILOT 1

Incorrect population identified

No Seminar Days

Combined Tank/MGS Range Time

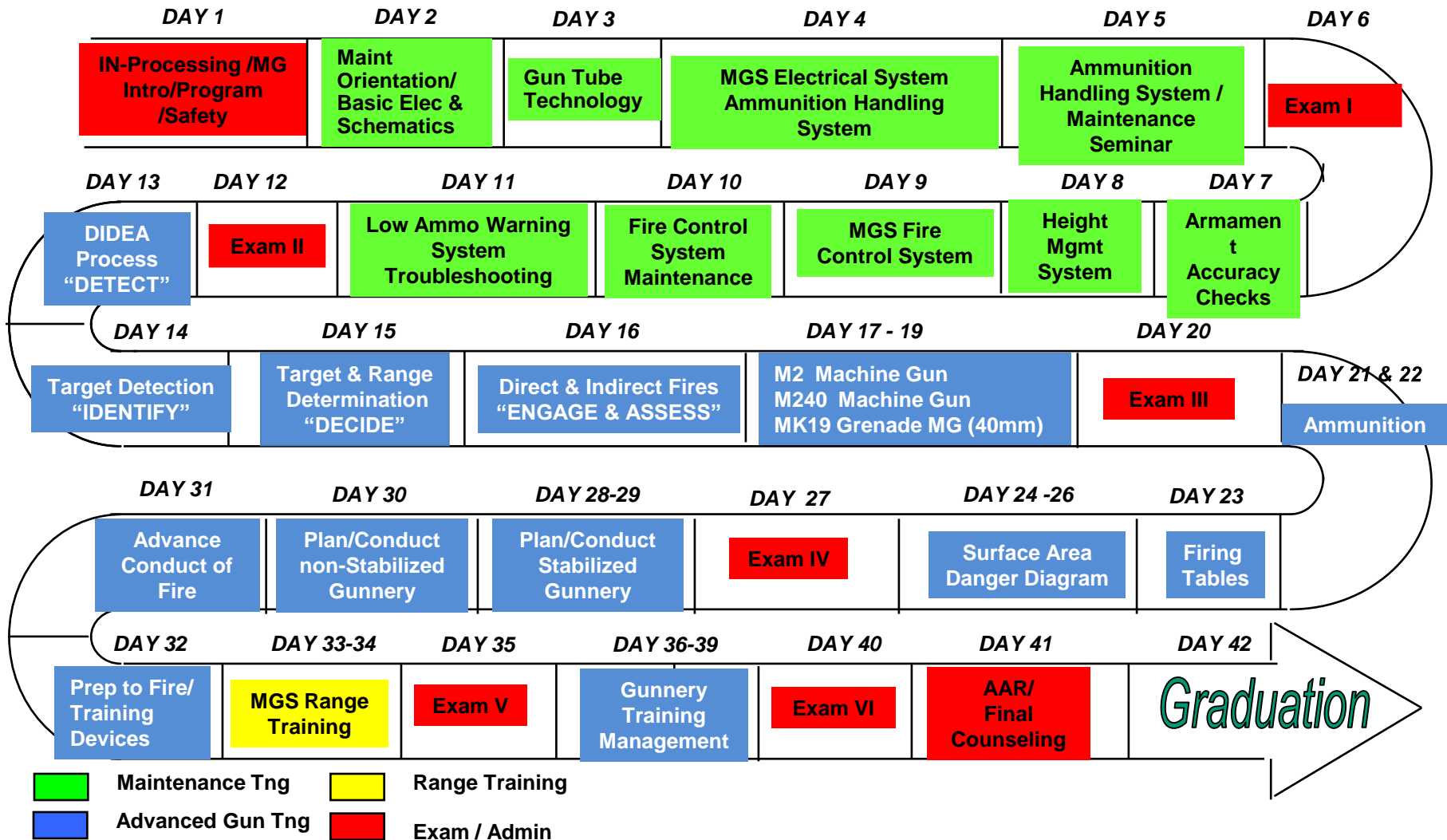
No Love/Branding



# MGS Master Gunner 8.5 week P1



## 8.5 Week, 42 Day schedule

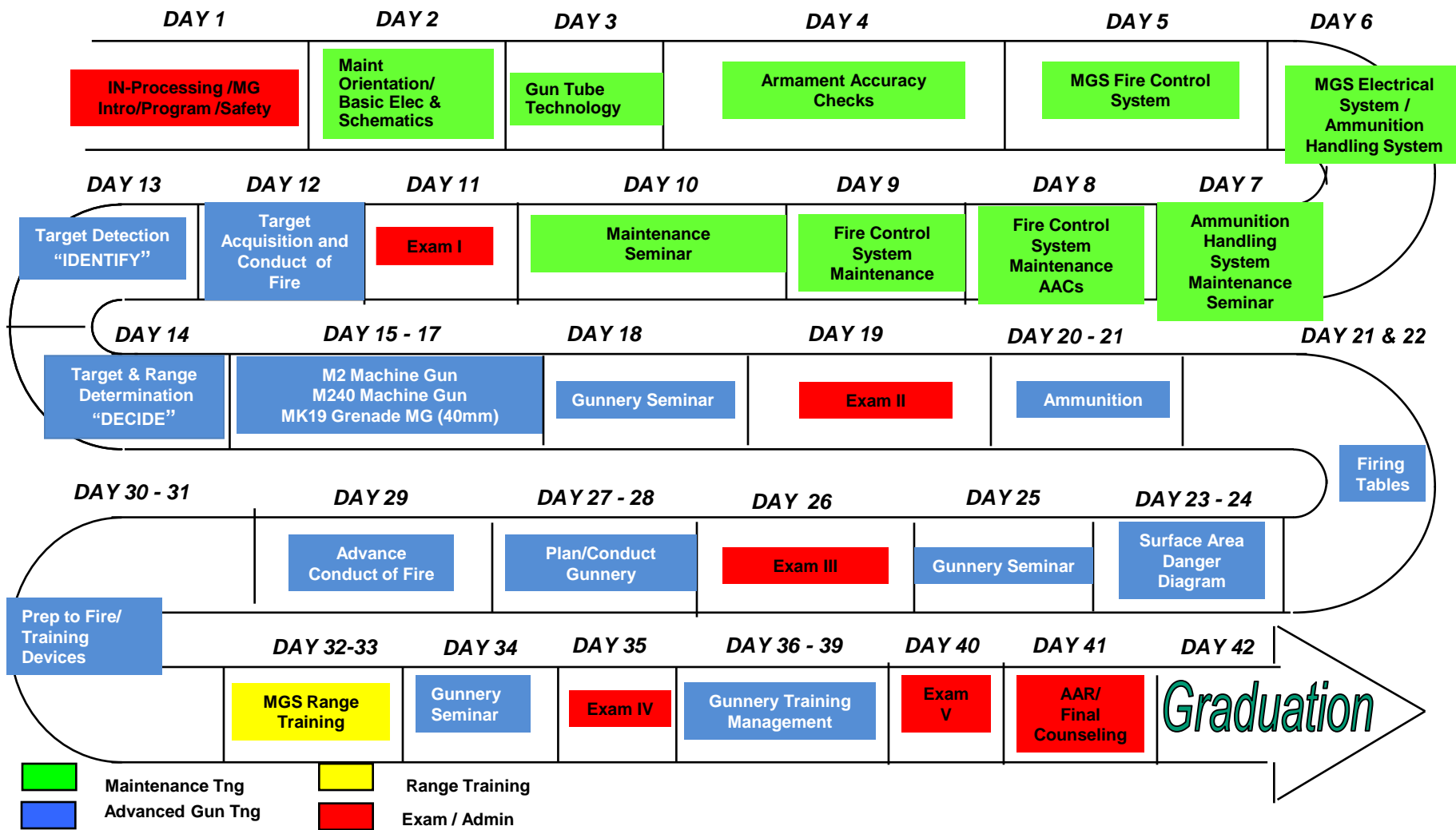




# MGS Master Gunner 8.5 week P2



## 8.5 Week, 42 Day schedule







# FUTURE



## ➤ TADSS

Surveys of the students and reports from the field have identified issues pertaining to the instruction and utilization of TADSS.

Training of TADSS will have updated devices and culminate into a SCALED device based Range training event.



# FUTURE



## ➤ SIO

Commanders are now realizing a requirement for Trained SIOs to manage the IOs and maintain the Trainers connected to their Fleet.

Monies and class dates have been Identified.

Course# 020-F13 Senior Instructor Operator (SIO) 3 Weeks

SIO 001-16 9FEB16-2MAR16

SIO 002-16 29MAR16-19APR16

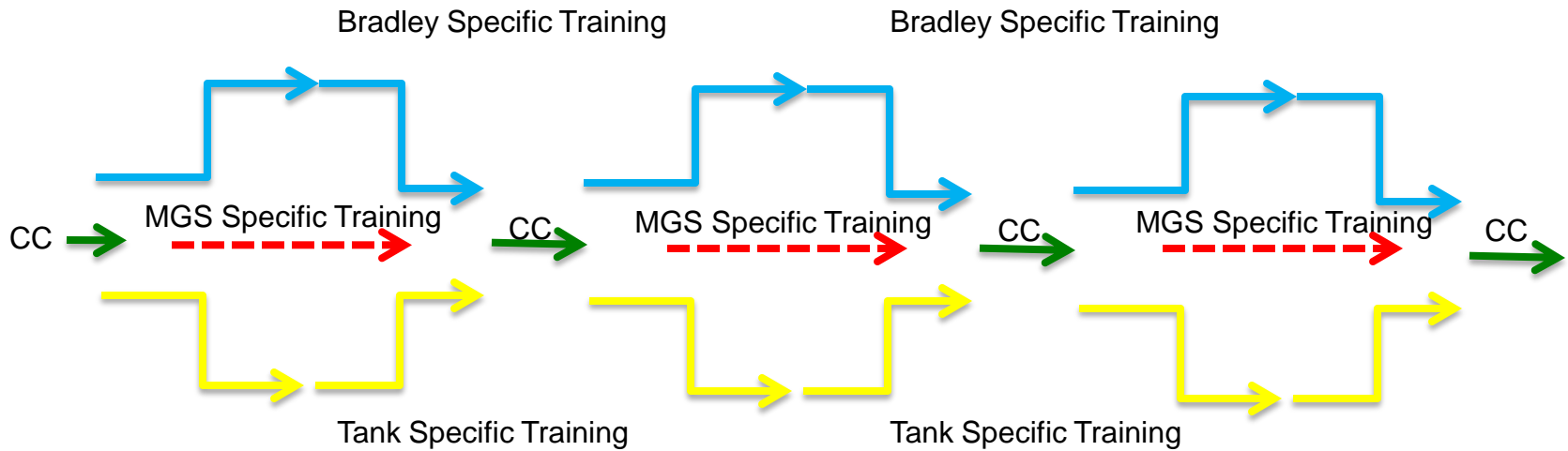




# FUTURE/RUMOR



## ➤ ABCT MG Training



This is not the priority mission but is being discussed (again)



# CLOSING



## ➤ TRENDS

FY12     A2 45 of 68 Graduated (66%)  
           A1 31 of 38 Graduated (73%)

FY13     A2 42 of 60 Graduated (75%)  
           A1 13 of 22 Graduated (59%)

Inexperience with formal Tank Gunnery



# Discussion