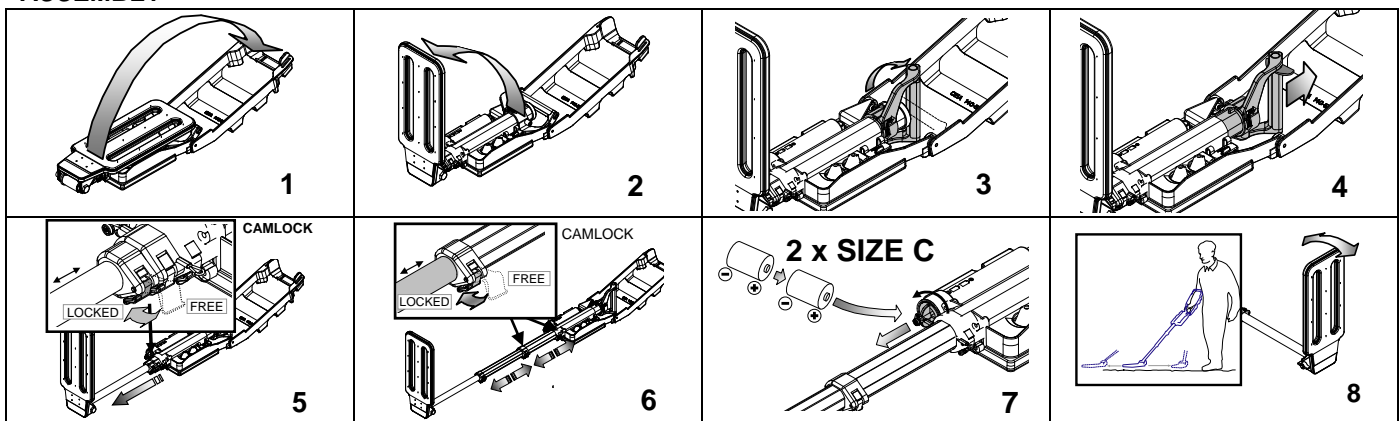
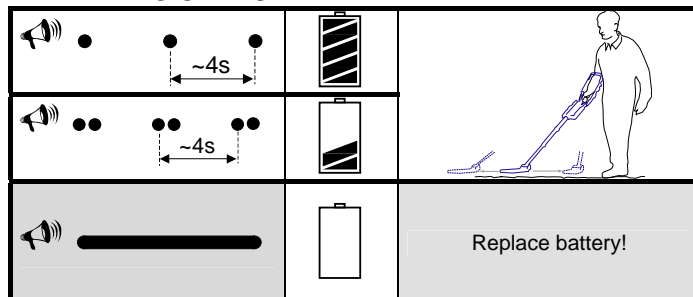
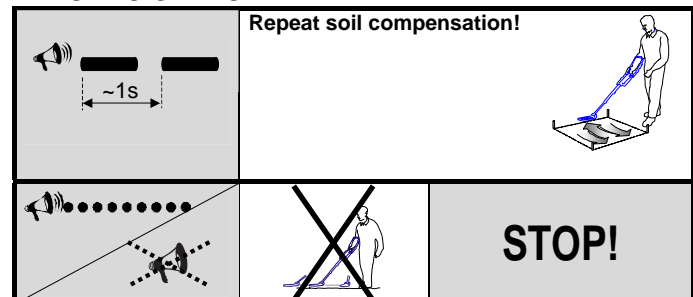
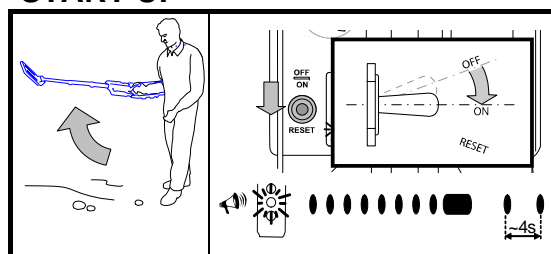
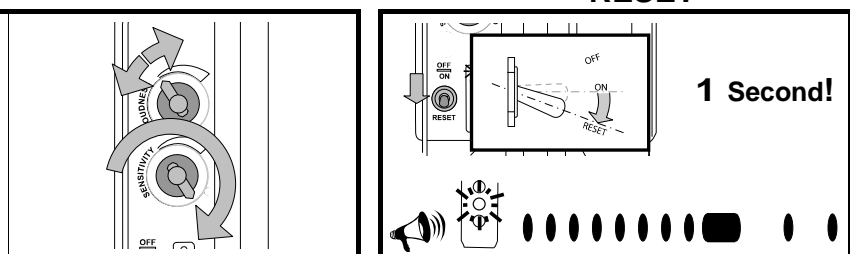


#	Description	Code
1	CMD V2.00 Metal Detector	55094
2	Non Metallic Test Sample (black stick)	55131
3	Operating manual	55096
4	Field instructions and Parts List	55099
5	Periodic Maintenance Guide – Cleaning Procedures	56252
6	High capacity 1.2V Ni-MH ANSI C or IEC size LR14 batteries (2 pieces)	43664
7	Leg strap for the carry bag	43682
8	Carry bag	56126
9	Plastic locking bolt for search head (spare)	43666
10	Monaural headphone with connecting cable	GSMD-HP
11	Hook/clip for headphone	24407
12	Metallic Test Sample (orange stick)	43860
13	Power Supply Adapter for the built-in battery charger, with power cords (UL and CEE plug)	GSMD-ACPSA1
14	Power Supply Cable for the built-in battery charger fitted with a car cigarette lighter plug	GSMD-DCPSA1

**ASSEMBLY**

**BATTERY SIGNALS**

**FAULT SIGNALS**

**START UP**

**RESET**


<p><b>NO EXTRA ALARMS FROM THE SOIL:</b></p> <p><b>START OPERATION</b></p>	<p><b>SEARCHING</b></p>	<p><b>METAL OBJECT</b></p>	
<p><b>EXTRA ALARMS FROM THE SOIL:</b></p> <p><b>SOIL COMPENSATION REQUIRED!</b></p>		<p><b>Non-Metallic Conductive Target</b></p>	

<p><b>SEARCH FOR A METAL FREE AREA</b></p> <p>EXTRA SIGNAL FROM THE SOIL</p>	<p>NO SIGNAL WHEN LIFTED 6-8"</p>	<p><b>SOIL COMPENSATION</b></p> <p>Metal-free</p>	
		<p>NO EXTRA ALARMS FROM THE SOIL: START OPERATION</p>	<p>Metal-free area</p> <p>TARGET</p> <p>HIGH PITCH LOW PITCH</p>

**Storage of the Soil Compensation Setting**

- Once calibrated to immediate surroundings through the Soil Compensation Procedure, the system stores the current compensation parameters in order to provide an "instant-on" capability until the environmental conditions change: the setting at start-up is referred to the last soil compensation procedure carried out and is retained indefinitely.
- If the soil characteristics change, some audio signal can occur, generated either by the system for metal detection or by the system for non metallic conductive IEDs. In this case perform again the Soil Compensation Procedure to adjust the equipment to the new environmental conditions.
- A previously stored soil compensation can be cancelled simply by carrying out a soil compensation procedure without approaching the search head to the soil.
- A reset does not affect already established soil compensation parameters

**VERIFICATION OF THE CALIBRATION**

<p><b>Air Compensation</b></p>		<p><b>ORANGE TEST SAMPLE</b></p>	<p><b>BLACK TEST SAMPLE</b></p>
--------------------------------	--	----------------------------------	---------------------------------