

ANNEX B (OPERATIONS)

1. M2/M3 SERIES BASIC LOAD PLAN

- A. Purpose. This following prescribes basic loads and load plan for M2-series systems. Items are per vehicle unless otherwise stated.
- A. Basic Load commodities:
1. Class I:
 - a. Three days of MREs for initial deployment
 - a. Water. Two 5-gallon cans
 1. Class II:
 - a. Cleaning supplies
 - b. Chemlights
 - c. BA-30 batteries
 - d. Four 6-Volt batteries (for use during MILES training)
 - e. 12 “AA” batteries
 - f. Company colored panel
 - g. TRP marking panel
 2. Class III: (per platoon)
 - a. One 5-gal cans 10 wt
 - b. One container Break-free
 - c. Five gallons antifreeze
 - d. One 5-Gal cans GAA
 - e. Four Tubes of GMD
 3. Class IV:
 - a. Three rolls concertina
 - b. 10 pickets
 - c. One picket pounder (per section)
 - d. 100 sandbags
 - e. Two TRP STAKES
 4. Class V:

Table 1 - M2 Ammo Basic Load

Ammo Type	Location	Amount
25MM	READY	300
	STOWED	600
7.62 (M240 C)	READY	800
	STOWED	2200
7.62 (M240 B)	STOWED	2200
5.56 (SAW)	STOWED	4200
TOW	READY	2
	STOWED	5
M231 PFW	STOWED	840
AT-4	STOWED	2
SMOKE LAUNCHER	STOWED	8
FRAG GRENADES		12
INCENDIARY GRENADES		4

- 5. Class VIII:
 - a. Two combat lifesaver bags (w/ inventory list) (1 for dismount element)
 - b. Two first aid kits
 - c. Litter kit
- 6. Class IX:
 - a. One road wheel
 - b. Four track blocks

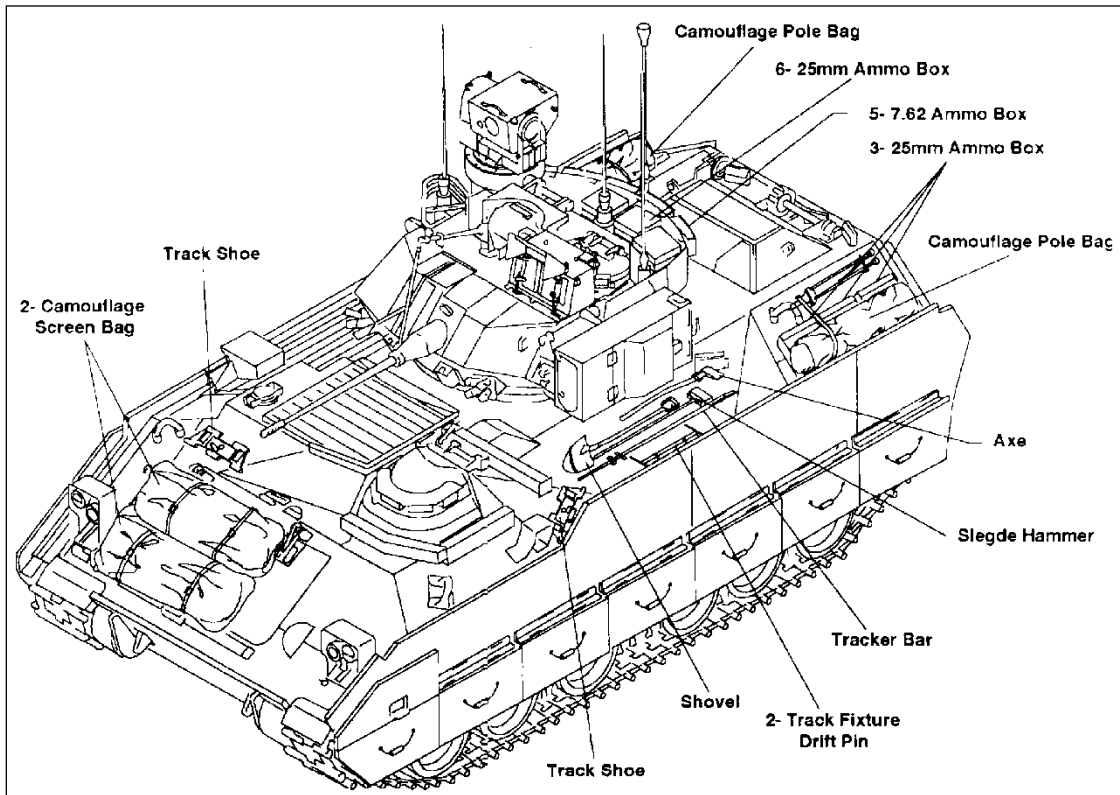


Figure 1 M2A3: External vehicle stowage

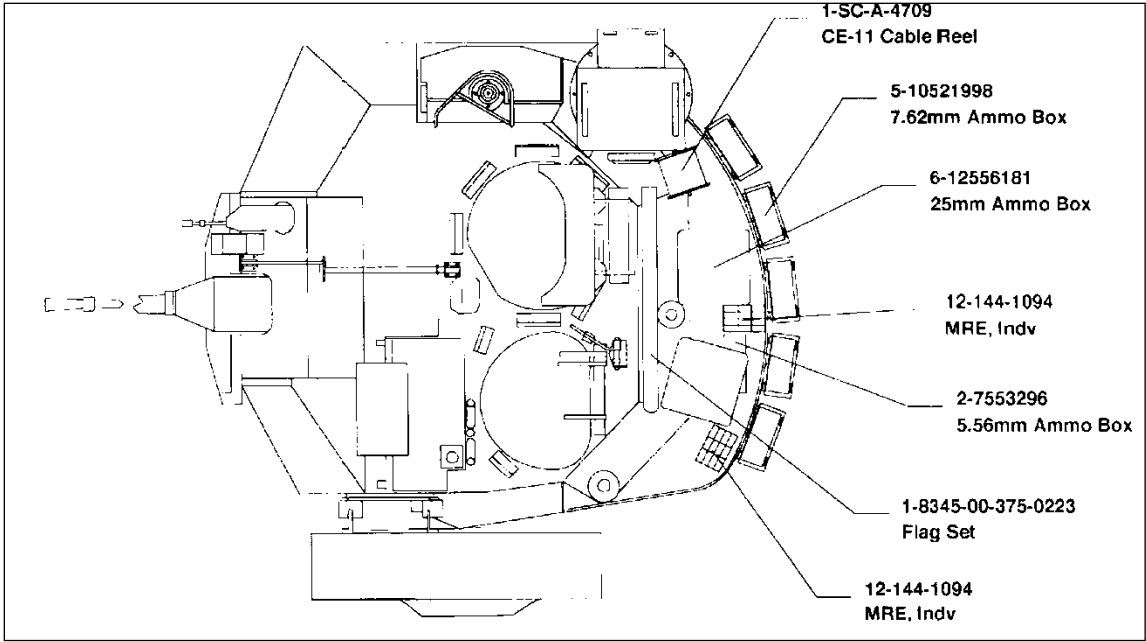


Figure 2: M2A3 exterior turret stowage

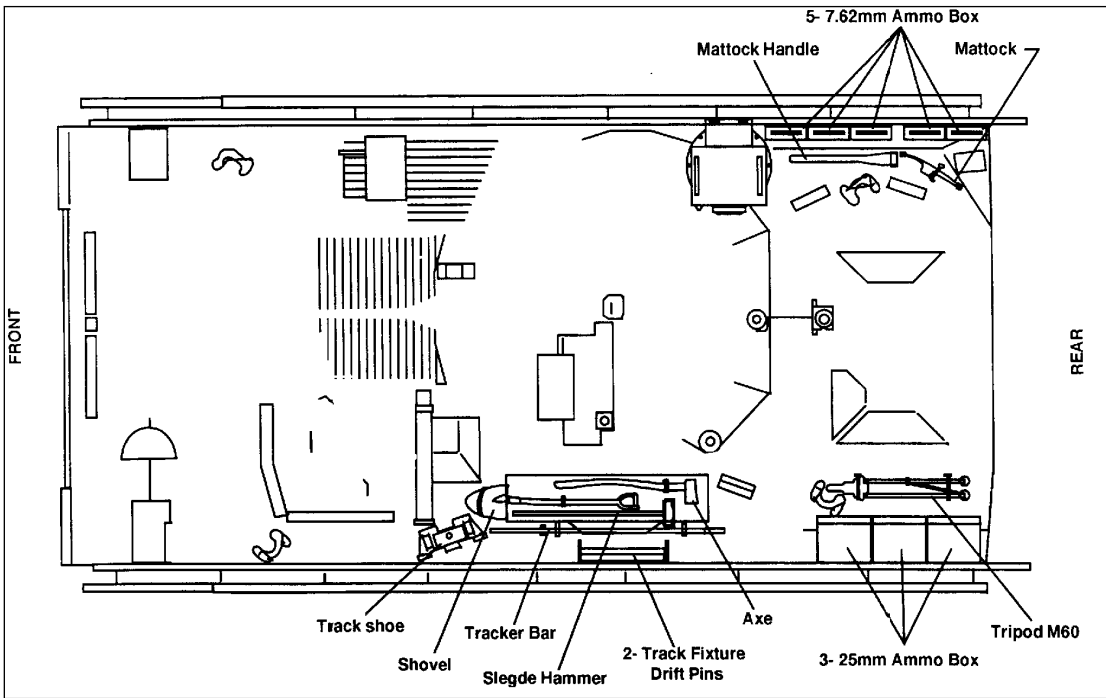


Figure 4: M2A3 Exterior hull stowage (second level)

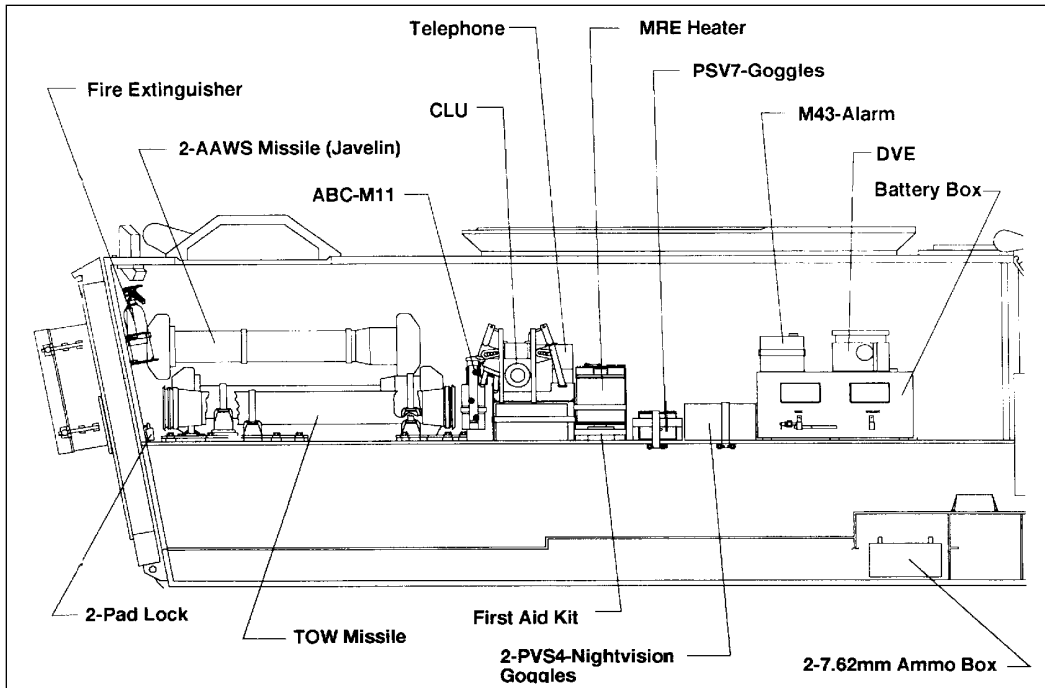


Figure 5: M2A3 Interior hull storage (left sponson)

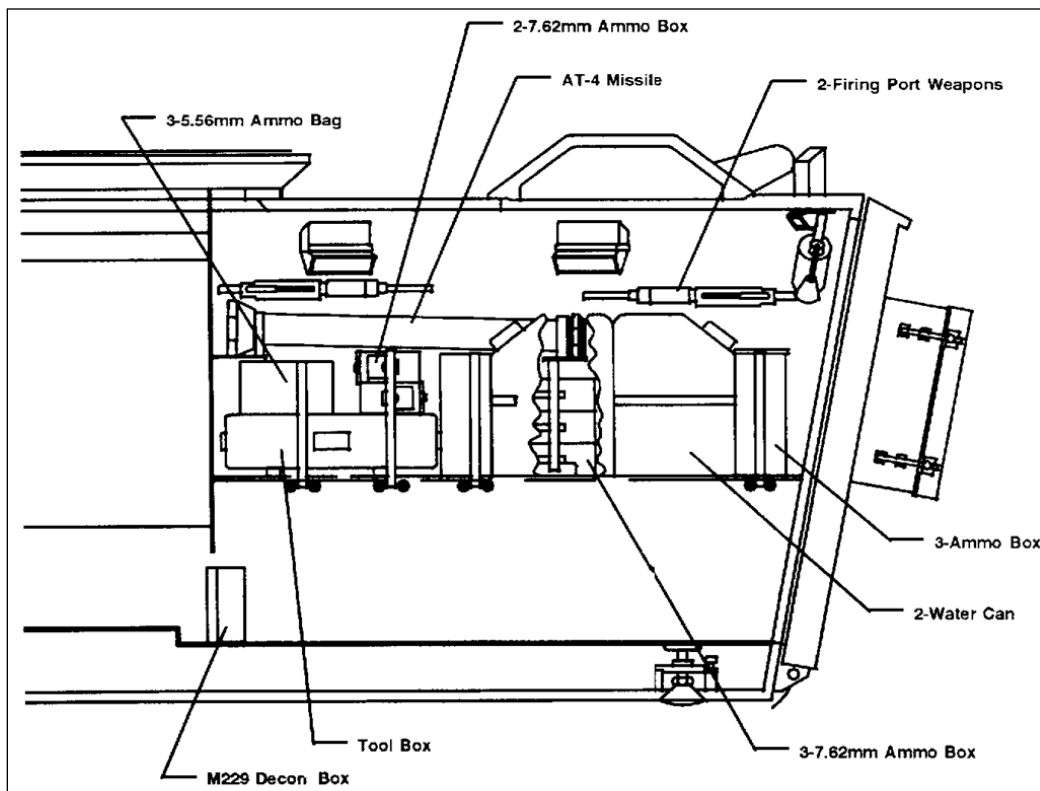


Figure 6: M2A3 Interior hull storage (rights sponson)

2. M1-SERIES BASIC LOAD PLAN

- A. Purpose. This following prescribes basic loads and load plan for M1-series systems. All items are “per vehicle” unless otherwise stated.
- B. Basic load commodities:
1. Class I:
 - a. Three days of MREs for initial deployment
 - b. One 5-gallon can per man and 1 cooler
 2. Class II:
 - a. Cleaning supplies
 - b. Chemlights
 - c. Thirty-six BA30 batteries
 - d. 6 volt batteries (for use during miles training)
 - e. Company colored panel
 - f. One speaker (not SINCGARS)
 3. Class III:
 - a. Ten 1-quart containers turboshaft
 - b. Five 1-gallon cans FRH
 - c. One 5-gallon can 30 wt/ platoon
 - d. One container Breakfree
 - e. One gallon GAA
 - f. One gallon distilled water
 - g. One 6-8 ounce can dry graphite film lubricant
 4. Class IV:
 - a. Two rolls concertina
 - b. One picket pounder per section
 - c. Six pickets (minimum)
 - d. Two TRP stakes
 5. Class V:
 - a. 40 main gun rounds (30 APFSDS, 10 HEAT / MPAT)
 - b. One AT-4
 - c. 11,400 x 7.62 rounds
 - d. 210 x 5.56 rounds (per wpn)
 - e. 900 x .50 cal rounds
 - f. 12 rounds, smoke launcher
 - g. Hasty breach / bypass marking smoke
 6. f. Class VIII:
 - a. One combat lifesaver bag (w/ inventory list)
 - b. Two first aid kits
 7. g. Class IX:
 - c. 10 end connector kits
 - a. Two center guides
 - b. Four track blocks
 - c. One roadwheel
 - d. 20 roadwheel nuts
 - e. One fuel filter
 - f. Spare antenna

Two 20mm Ammo Cans
 (Attached to bustle rack)
 FRH (1 gal)
 TSO (10 x 1 qt)
 CE-11/TA1
 End Connectors (10)
 Wedge Bolts (10)

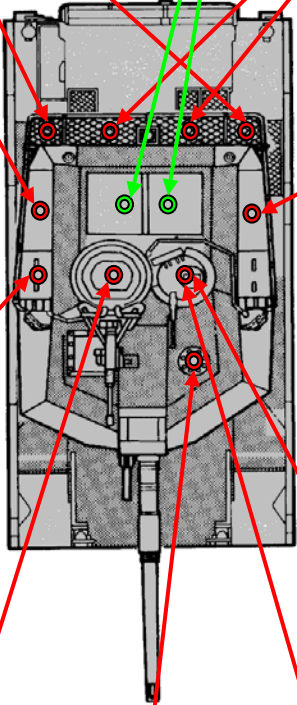
**Nothing is strapped
 Across Blowout
 Panels**

Bustle Rack
 "A" and "C" Duffel Bags
 Ruck Sack and Rope
 MRE Case behind EPAU
 30 WT Oil Can (5 gal)
 Tarp Covering TA-50
 Two 5 Gallon Water Cans
 Picket Pounder (1 per PLT)
 Spare Center Guide

Right Sponson Box
 M-2 Spare Barrel & Boresight Device
 M27A1 Boresight Device
 VS-17 Panel
 M1 Gunner's Quadrant
 Telephone (TA-1, TA-312)
 Torque Wrench
 Cammonet Strapped to Outside

Left (loader's) Sponson Box
 Tool Satchel Bag
 Applicator Bottle
 Artillery Cleaning Brush
 Fire Extinguisher
 M238 Flag Kit (red, yellow, green)
 Steel Flex Spout Funnel
 Hand Lubricating Gun
 Rammer Staff Section Tee Handle
 First Aid Kit
 Mine Plow BII & Mine Roller BII
 Muzzle Plug
 End Connector Puller & Pump
 .50 cal Ammo Storage Box
 Crew Tent Strapped to Outside
 Heat Deflector (1 per section)

Hull Sponson Box
 Single Bit Axe
 Track Torque Binder
 Tanker Bar
 Track Connecting Fixture (2 each)
 Sledge Hammer
 Extension Wrench Handle
 Mattock Pick Handle
 Tow Cable Hook (4 each)
 Locking Pins (8 each)
 Artillery Loading Rammer
 Round point Shovel
 Cleaning Staff Sections (5 each)
 Bore Evacuator Spanner Wrench



Loader's Sponson Wall Tray
 Heat Mittens
 Cartridge Extractor Tool
 Gunner's Tool Roll

TC's Station
 M-22 ACADA Alarm
 Flashlight
 NVG/PLGR in Mount
In Arm Rest
 Vehicular Accessories Box
 Firing Circuit Tester
 IR Lenses
 Radiac Meter

Turret Top
 Spare Roadwheel
 Slave Cables (inside roadwheel)

Loader's Oddment
 M-11 DECON Apparatus
 Flashlight
 Breach Opening Lever
 M256 Kit
 Radiac meter

3 VEHICULAR PLANNING FACTORS:

A. Vehicle Dimensions Max Pallets

1. PLS 7.5' x 19' 8
2. HEMTT 7.75' x 18' 8
3. 5-Ton 7.25' x 14' 6
4. LMTV 7.1' x 12.5' 6
5. M548 8' x 10.75' 6
6. S & P 7.5' x 30' 14

NOTE: Pallet dimensions are 3.5' x 4'

B. MATERIEL PLANNING FACTORS:

1. Item	Packaging	(Length x Width x Height)
a. M21 Mine	4 per Crate	22" x 20" x 16"
b. M15 Mine	1 per Crate	18" x 15" x 7.5"
c. Barbed Wire	400 Yards per Reel	10" x 10" x 10"
d. Concertina	40 Rolls per Bundle	44" x 44" x 48"
e. Long Picket	112 per Bundle	72" x 16" x 10"
f. Medium Picket	112 per Bundle	60" x 16" x 10"
g. Short Picket	112 per Bundle	32" x 16" x 10"
h. MOPMS 21	Mines per Suitcase	36" x 24" x 18"
i. Volcano Canister	160 per Reload	50" x 32" x 18"
j. Sandbag	400 per Bundle	28" x 18" x 12"
k. 4" x 4" Post	72 per Bundle	8' x 44" x 22"
l. 3/4" Plywood	50 per Bundle	8' x 4' x 40"

